

Failure alert relay is a microprocessor based device that was designed to indicate and direct all the failures on protection cells in electrical systems.

Thus it has the capability to process and direct failure alert information. It was designed to supply an economical solution where 6 alerts are enough in modular cubicles and protection panels. In addition it does not need subsidiary equipments. Device has 8 output relay.

Working Principle

If there is signal one of the inputs, lamb switches on which associated with input.

Circuit Breaker Open Relay can be activated or deactivated by its switch which is positioned at backside of device.

If Input signal is continuous lamb will flash. If Signal is temporary Led will be permanent.

User can off the LAMB by pressing the LAMB delete button. User can delete just the temporary alarms.

Scada output relays are activated only if its input are available on input. Output contact will be automatically off when its input is not available.



There are three button on the DEVICE's front panel.

TEST BUTTON: User can test the Lambs by pressing the test button.

LAMB DELETE BUTTON: User switches off the lambs, horn relay output, circuit breaker relay output by pressing the lamb delete button.

HORN DELETE BUTTON: User can change horn relay output position to off by pressing the horn delete button.(Lambs and Circuit Breaker positions don't change.)

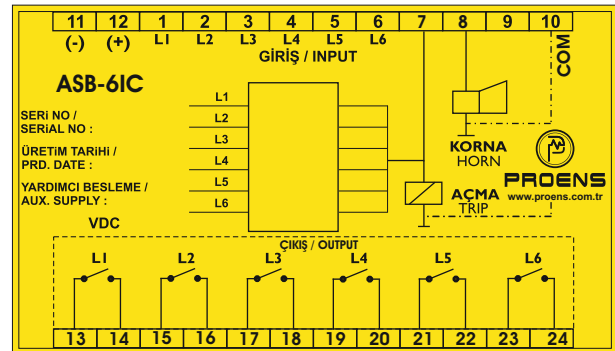
Leds quantity on Relay are same as input quantity.

If there is signal one of the inputs its Led switches on.Led start flashing when input signal steady.Led stops flashing when input signal not available more.Leds will steady and can be off by pressing Lamb Del Button.

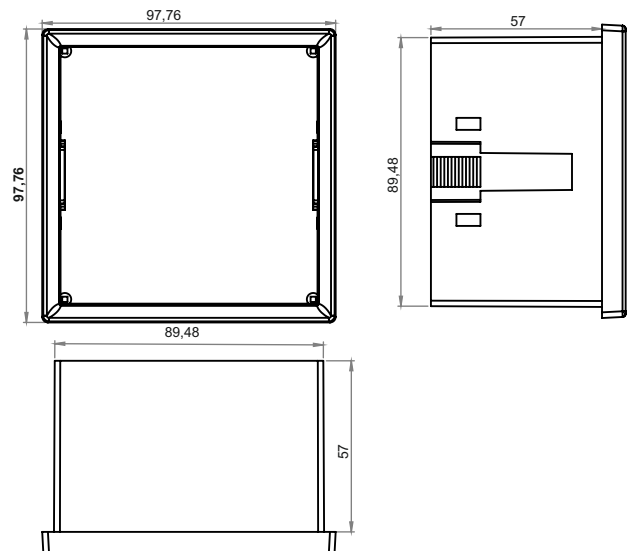
TECHNICAL CHARACTERISTICS

- Operating Voltage : 24VDC, 48VDC, 110 VDC
- Voltage Range : (0,8-1,2)*Un
- Alert Voltage Input : 24VDC, 48VDC, 110 VDC
- Contact currents : 5A -24VDC 110VDC-0.3A
- Alert processing amount: 6
- Output : 8
- Filter Time : 5 msn
- Transfer Rate : < 40msn
- Indicator : LED 100.000 HOUR
- Buttons : 20.000 PRESS
- Mounting : FRONT TO PANEL
- Cable Cross Section : 2,5mm
- Operating temperature : -20°C / + 55°C
- Class : IP 20
- Dimensions : 96x9x57

CONNECTION DIAGRAM



BOX DIMENSION



ORDER TABLE

ORDER CODE	DESCRIPTION
ASB-6IC-24VDC	24VDC Aux. Supply
ASB-6IC-48VDC	48VDC Aux. Supply
ASB-6IC-110VDC	110VDC Aux. Supply

WORKING DIAGRAM

